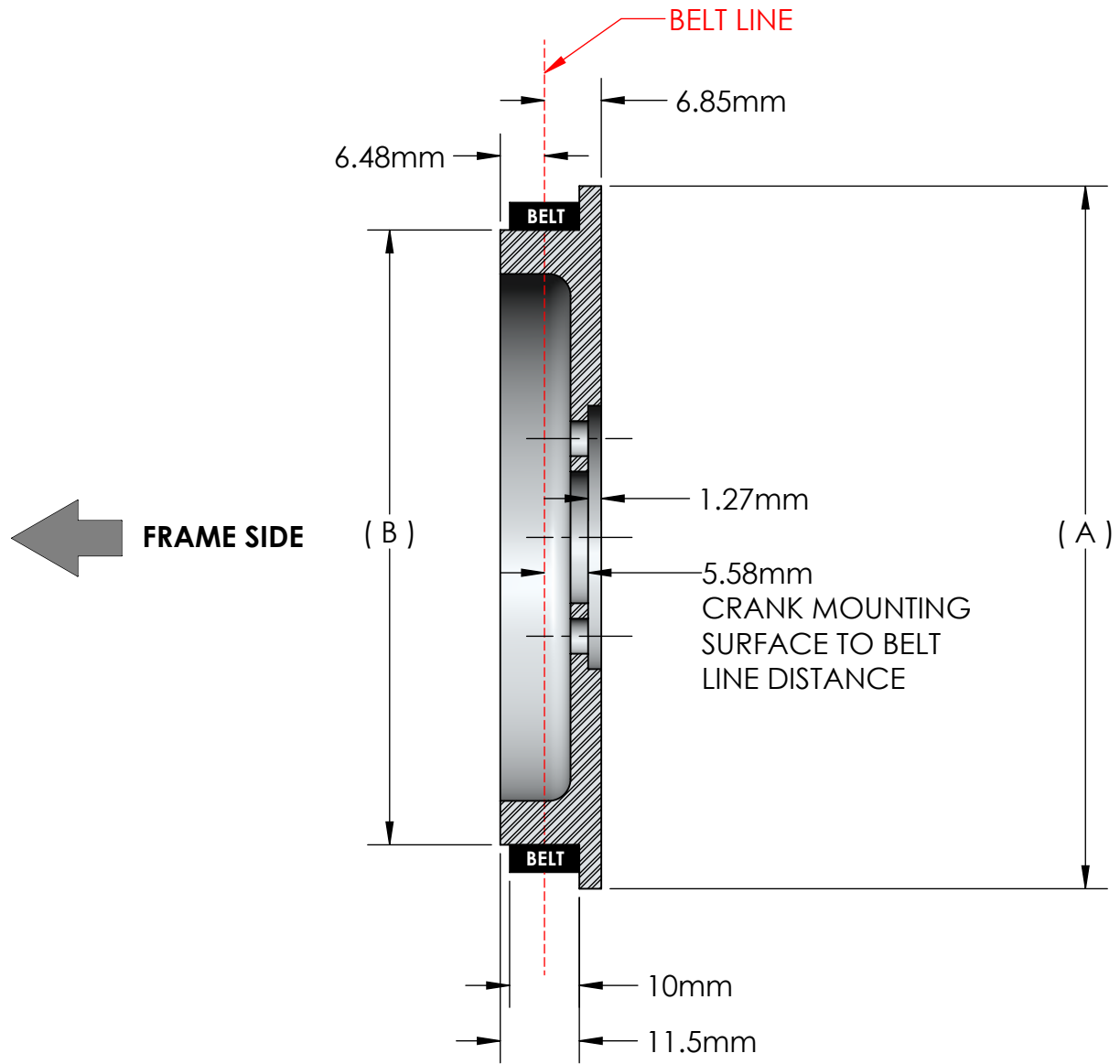


PAUL COMPONENTS BELT SPROCKETS



CROSS - SECTION VIEW

| PART # | # OF TEETH | FLANGE O.D. (A) | DIAMETER OVER TEETH (B) |
|--------|------------|-------------------|---------------------------|
| TDBP44 | 44 | 158mm | 152.3mm |
| TDBP46 | 46 | 165mm | 159.3mm |
| TDBP48 | 48 | 171.9mm | 166.2mm |
| TDBP60 | 60 | 213.9mm | 208.2mm |